

BrewerBasic

EXAM TABLE



#4000 in
Burgundy

models

#4000

#4001 with drawer heater and pelvic tilt

accessories

#98464 stainless steel treatment pan
(12.75" x 10.38" x 2.5")

#100253 urology drain pan kit

#100407 front drawer dividers

#102022 Brewer Welch Allyn® Exam Light IV bracket - plant installed

#102023 Brewer Welch Allyn® Exam Light IV bracket - field installed

Durability

- 3-year warranty

Safety

- Sturdy, retractable patient step with mat

Function

- Simple pneumatic back for easy patient positioning
- Easy-to-clean seamless upholstery
- Largest storage capacity available
- Front and side drawers
- Leg extension
- Plastic debris tray
- Pelvic tilt capability (optional)

Weight Capacity

- 325 lbs. (under normal use)

Table Dimensions

- Height: 32"
- Length: 57.5" extends to 71"
- Width: 26.5"
- Leg extension length: 15"
- Step: 20.5" x 11" x 8.6"

Storage

- Front drawers: 19.7" x 19.2" x 4"
- Side drawers: 22.7" x 20.2" x 7"
- Side drawers available on right or left side (from patients perspective)

Options

- 5° pelvic tilt, 60-Watt drawer heater in front top drawer

Weight Capacity

- 500 lb. (under normal use)

Table Dimensions with upholstery

- Height: 31"
- Length: 74"
- Width: 28"

Optional Drawer Dimensions

- Length: 19"
- Width: 20"

Optional Shelf Dimensions

- Length: 65.75"
- Width: 18"

accessories

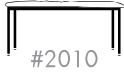
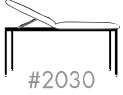
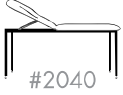
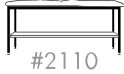
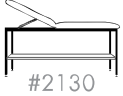
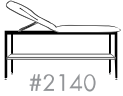

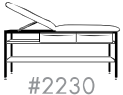
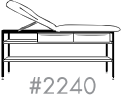
#10196 table paper strap (Qty 2)

#100407 front drawer separators
(Drawer models only)

BrewerElement

TREATMENT TABLE

MODELS

	flat top	flat top adjustable	pillowtop adjustable
basic frame	 #2010	 #2030	 #2040
frame w/shelf	 #2110	 #2130	 #2140
frame w/shelf & drawers	 #2210	 #2230	 #2240